

# A Competitive Advantage for Automotive Manufacturing

ENGINEERED FASTENING SOLUTIONS

**JEMMS**  
SINCE 1988

## Weather Seal Crimping Attachment

Weather Seal Crimping Attachments are designed to install crimp type weatherstripping around automotive doors and deck lids.

### Common Applications:

- Offroad cab seals
- Automotive door seals
- Decklid seals



These brands already use our  
Weather Seal Crimping Attachments:



# Instructions for Specifying a New Application

## STEP 1:



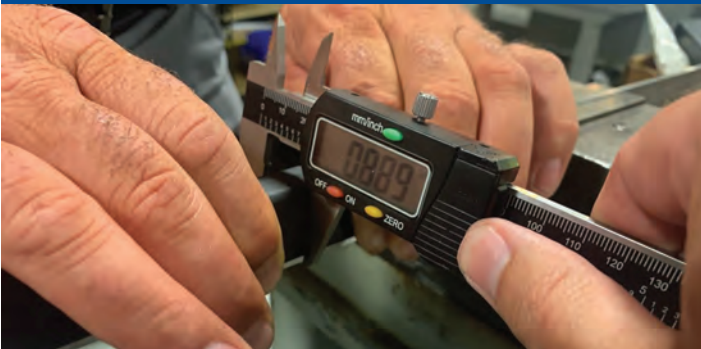
- Place seal over metal strip

## STEP 2:



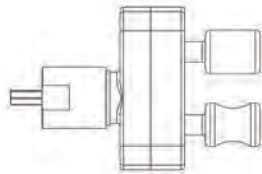
- Place callipers on seal

## STEP 3:

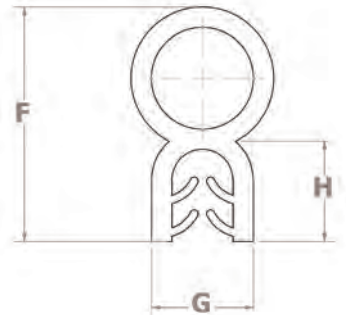
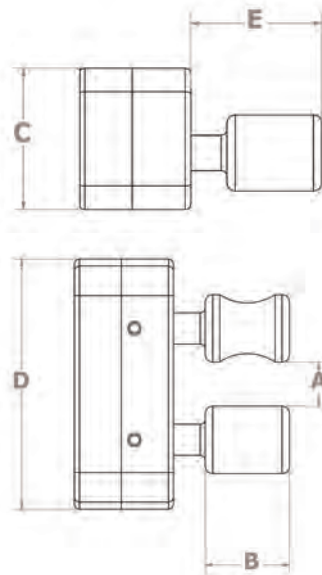
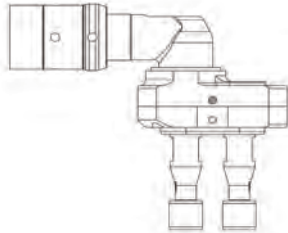


- Squeeze both side of the seal around the calipers and take a measurement.
- Modify the measurement by the difference of the metal strip verse the actual metal thickness on the vehicle.
- Provide the modified measurement.

In Line Attachment



90 Degree Attachment



**Connect with TORQU-E and Transform Your Fastening Solutions!**

238 Executive Drive, Troy, MI 48083

Phone: 248-526-8100

Email: [torqu-e@jemmsinc.com](mailto:torqu-e@jemmsinc.com)

Discover more automotive assembly solutions!

